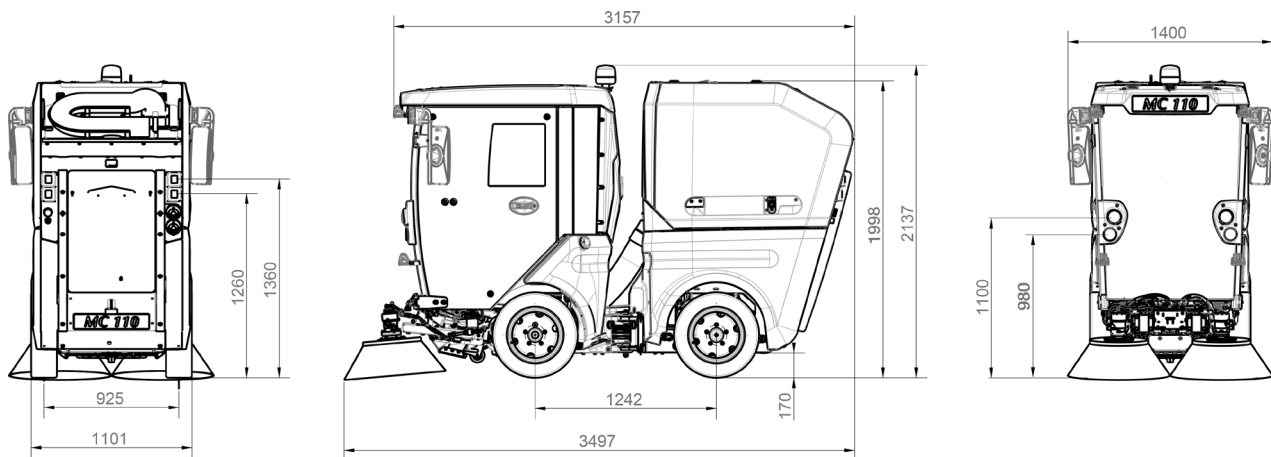


Type MC 110
 Subject Technical and performance datas

Date 15.11.2017
 Version MC110-2017-000
 Number of pages 2

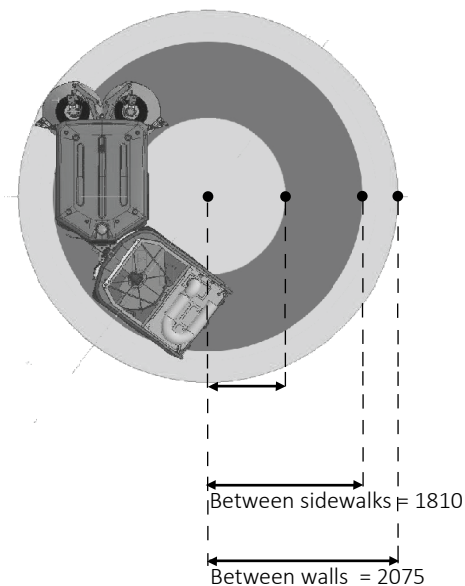
1_ General characteristics

1.1. Dimensions



1.2. Steering

Steering Articulated
 Turning radius (mm)



1.3. Brakes

Front Dynamic drum brakes integrated into the drive motors
 Parking Static brakes with lack of multidisc pres sure integrated into the drive motors

1.4. Suspensions

Front and rear Independent wheels suspended on leafsprings

1.5. Weights

Tare weight (depending on the option) (kg) 1900
 GVW (kg) 2400
 Payload (kg) 500

1.6. Speeds

Transit mode speed (kph) 0- 25
 Engine speed in transit mode (rpm) 3000
 Work speed (kph) 0 - 7
 Engine speed in work mode(kph) 1600 / 1900 / 2200

1.7. Tyres

Front 175/65 R14
 Rear 175/65 R14

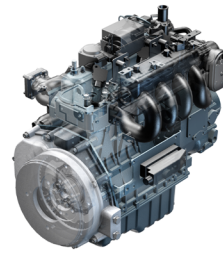
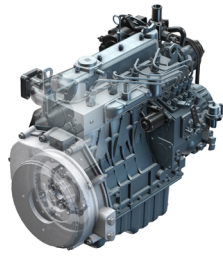
1.8. Transmission

Wheel drive 4
 Drive Hydrostatic
 Gradeability Up to 30%

1.9. Capacities

Fuel tank (liter) 45
 Clean water tank (liter) 140
 Recycling system (liter) 100
 Hydraulic tank (liter) 45

02_ Engines



Make	KUBOTA V1505-E3B Diesel Engine	KUBOTA WG1605-G-E3 Gasoline Engine
Engine type	Interim TIER 4 / Stage IIIA	EPA TIER 2 / CARB TIER 3
After-treatment	Exhaust with silencer	Exhaust with catalyst
Cubic capacity (cm ³)	1498	1537
Number of cylinders	4	4
Maximum power	26,2 kW @ 3 000 rpm (36 BHP)	35 kW @ 3 000 rpm (48 BHP)
Maximum torque	90 Nm @ 2200 rpm	117 Nm @ 2500 rpm

03_ Work performances

3.1. Sweeping system

Sweeping width (mm)	1 380 - 1800
Number of brushes	2
Sweeping system type	Pushed
Control of the brushes	Joystick
Brush diameter (mm)	700
Brush rotation speed (rpm)	Adjustable up to 120
Sweep rate / output (optimal)(m ² /h)	12 600 (theoretical max)

3.2. Waste hopper

Material	4016 stainless steel
Voided volume (m ³)	0,7 (DIN EN 15429-1)
Dumping height (mm)	1 450

3.3. Suction system

Suction nozzle dimension (mm)	480
Material	Stainless steel
Suction tube diameter (mm)	150
Suction tube material	Polyuréthane
Blower capacity (m ³ /h)	3400

04_ Environmental performances

4.1. Consumptions

Mixed consumption (liter/h)	3,5
-----------------------------	-----

4.2. PM 10 emissions

Level	3 stars
-------	---------

4.3. Sound emissions

Acoustic power outside L _{WA} dB (A)	100
Acoustic pressure in the cabin L _{pA} dB (A)	71

4.4. Vibrations

Entire body (seat) (a _{wzs})	less than 0,5m/s ²
Upper limbs (steering wheel) (a _{hv})	less than 2,5m/s ²