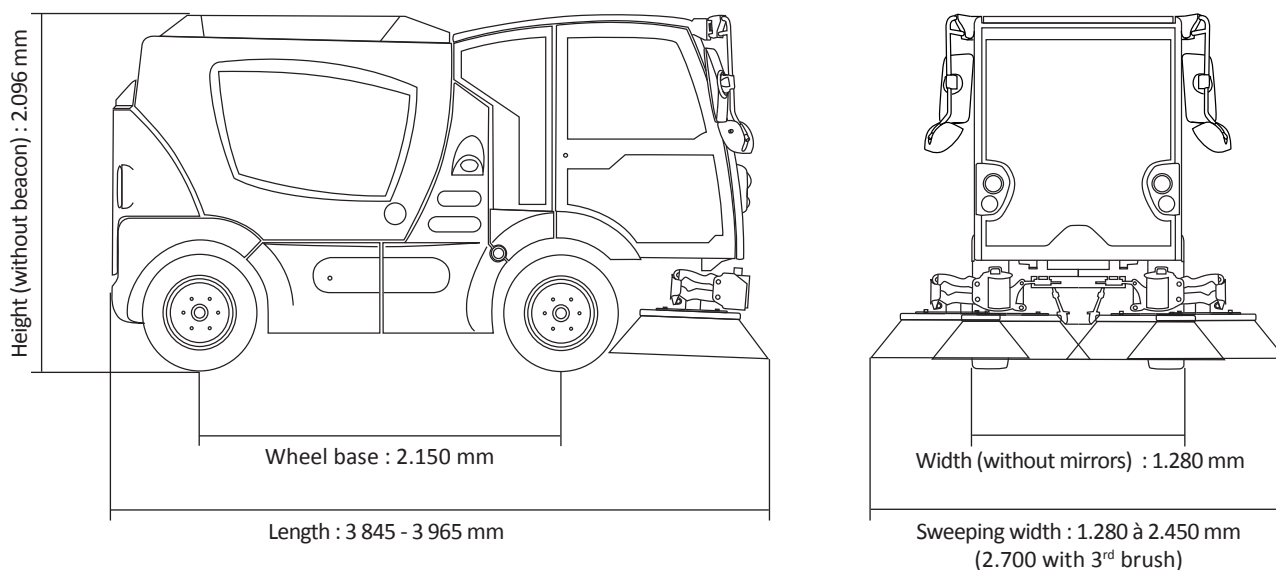


Type AZURA - AZURA FLEX MC 210  
 Subject Technical and performance datas

Date 17.11.2015  
 Version MC210-AZC/AZX-0  
 Number of pages 2

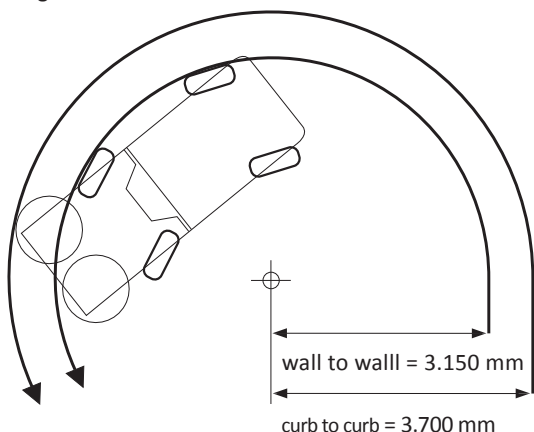
### 01\_ General characteristics

#### 1.1. Dimensions



#### 1.2. Steering

2 or 4 wheels steer with automatic realignment of rear axle in transit.  
 Turning radius in 4 wheels steer



#### 1.5. Brakes

Front Disc brakes with dual braking system  
 Rear Hydraulic brakes + drum brakes (optional)

#### 1.7. Suspensions

Front and rear Leaf springs

#### 1.3. Weight

Tare weight (depending on the option) (kg) 3.600  
 Gross Vehicle Weight (kg) 5.000  
 Maximum weight on front axle (kg) 2.500  
 Maximum weight on rear axle (kg) 2.500

#### 1.4. Speeds

Transit mode speed (kph) 25 - 50  
 Engine speed in transit mode (rpm) 950 - 2.350  
 Work mode speed (kph) 0 - 15  
 Engine speed in work mode (rpm) 1.400 - 2.000  
 Gradeability (%) up to 28

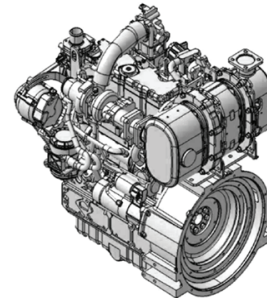
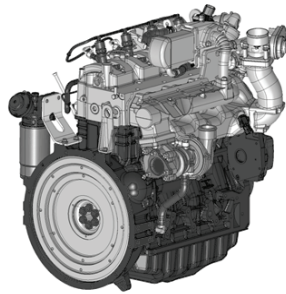
#### 1.6. Tyres

Front 225/65 R16 C  
 Rear 225/65 R16 C

#### 1.8. Capacities

Fuel tank (liter) 70  
 Clean water tank (liter) 300  
 Additional water tank (liter) 240 (optional)

## 02\_ Engines



Make	VM R754 EU6 Common rail	KUBOTA V3800-CR-T-E4
Engine type	EURO 6	TIER IV / Stage 3b
After-treatment	Exhaust line with catalyst (DOC) and particle filter (DPF) + Selective Catalytic Reduction system (SCR) with AdBlue injection (14 liter tank)	Exhaust system with catalyst (DOC) and particle filter (DPF)
Cubic capacity (cm <sup>3</sup> )	2.970	3.800
Number of cylinders	4	4
Maximum power	62 kW @ 2.300 rpm (83 BHP)	55,4 kW @ 2.200 rpm (74 BHP)
Maximum torque	270 Nm @ 1.350 rpm	310 Nm @ 1.500 rpm

## 03\_ Work performances

### 3.1. Sweeping system

Sweeping with (mm)	1.280 - 2.450 (2.700 with 3 <sup>rd</sup> brush)
Number of brushes	2 or 3 (Flex option)
2 Brushes sweeping	Standard integrated Push & Pull system (PPS)
Control of the brushes	Joystick
Brushes diameter (mm)	900 (750 for weedcutting brush)
Brushes rotation speed (rpm)	adjustable up to 120 (170 on 3 <sup>rd</sup> brush)
Sweep rate/output (m <sup>2</sup> /hr)	33.000 - 40.500 (theoretical max.)

### 3.2. Waste hopper

Material	4016 stainless steel
Payload (kg) (depending on the options)	1.500
Voided volume (m <sup>3</sup> )	2
Dumping height (mm)	1.400

### 3.3. Suction system

Suction nozzle dimensions (mm)	540 x 200
Material	Stainless steel and CREUSABRO <sup>®</sup> reinforcements
Suction tube diameter (mm)	250
Suction tube material	Treated polyurethane
Blower capacity (m <sup>3</sup> /hr)	13.000

## 04\_ Environmental performances

### 4.1. Consumptions

Mixte consumption (liter/h)	5,0 (EU6) - 5,5 (T4)
-----------------------------	----------------------

### 4.2. PM 10 emissions

Level	3 stars
-------	---------

### 4.3. Sound emissions

Acoustic power outside L <sub>WA</sub> (dB A)	103 (EU6) - 104 (T4)
---	----------------------

### 4.4. Vibrations

Entire body (seat) (a <sub>wzs</sub> )	don't exceed 0,5 m/s <sup>2</sup>
Upper limbs (steering wheel) (a <sub>hv</sub> )	don't exceed 2,5 m/s <sup>2</sup>