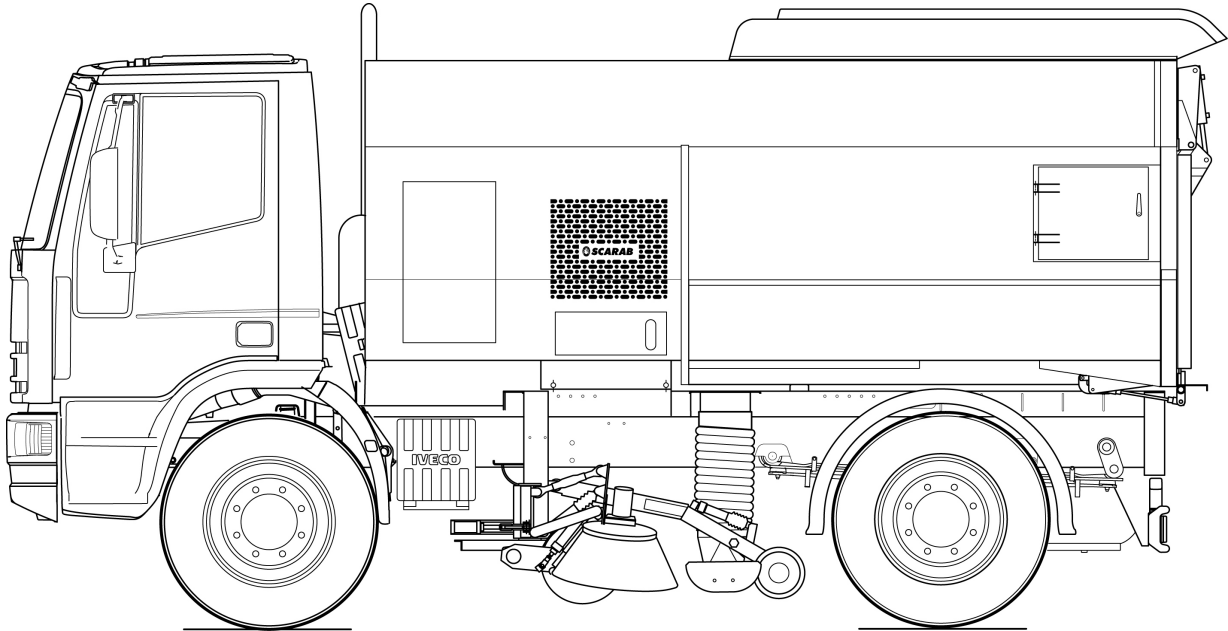


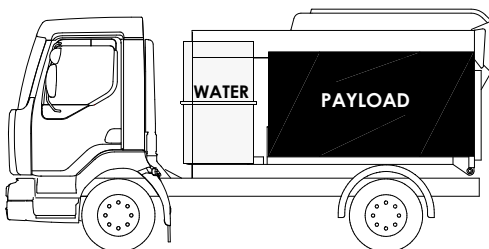
SCARAB MAGNUM PLUS *Hydrostatic*



THE SCARAB HYDROSTATIC SYSTEM

Incorporating Scarab's well-proven and successful single-engine hydrostatic drive system to operate the transmission and all sweeper functions, the Magnum Plus Hydrostatic embodies all the advantages that Scarab users have come to expect as standard issue. Designed to cope with the most arduous of operating conditions, the Scarab System provides the operator with a machine offering the **LARGEST PAYLOAD** and **LARGEST HOPPER VOLUME** commensurate with a given chassis size and type, together with a minimum of moving parts for reduced servicing.

By utilising the chassis engine, which conforms to the latest stringent emission legislation, significant **REDUCTIONS** in **EXHAUST EMISSIONS** and **FUEL CONSUMPTION**, can be achieved, making the Scarab Magnum Plus Hydrostatic one of the most environmentally friendly, high performance truck mounted road sweepers.

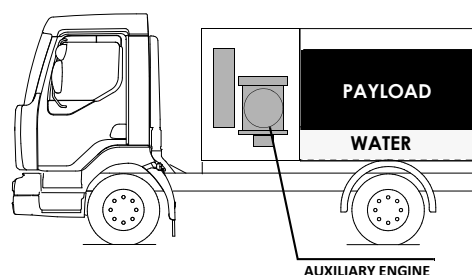


Scarab Magnum Plus Hydrostatic

- **Increased** hopper
- **Increased** payload
- **Simplified** drive system
- **Reduced** servicing and operating costs
- **Reduced** fuel consumption
- **Finite** road-speed control
- **Reduced** environmental impact

Typical Twin Engine Sweeper

- **Restricted** hopper
- **Restricted** payload
- **Complex** engine drive system
- **Higher** operating costs
- **Higher** fuel consumption
- **Reduced** road-speed control



HYDROSTATIC TRANSMISSION: The unique Scarab hydrostatic gearbox unit is the heart of the Scarab Magnum Plus sweeper. Fitted into the drive line of the vehicle between gearbox and rear axle, the Scarab transmission enables the sweeper to be driven to site as a conventional vehicle. On site, the hydrostatic transmission is engaged allowing sweeping to commence with single-pedal ease of control over vehicle speed and braking while also driving the hydraulic pumps for the suction fan and brush systems.

The Scarab hydrostatic system gives all the advantages of infinitely variable speed control to optimise sweeping, without the need to change gear for reversing or premature clutch wear due to the need for constant slipping to control speed on hills. The vehicle engine need only be running at approx. 1200 RPM ensuring long life. Selection of hydrostatic forward and reverse is by means of a single lever.

Hydrostatic drive is engaged by a pneumatic gear-change, operated from the main CANbus control panel, which is interlinked to motion sensors to prevent engagement when the vehicle is moving. The drive pumps and motors give infinite control of vehicle speed from zero up to 15 - 20 mph (20 - 30 km/h), and the ability to climb a gradient of 1 in 5 fully laden. The hydrostatic system is fully protected from abuse both electronically and hydraulically. The end result is a significant reduction in those operator fatigue levels associated with frequent use of clutch, brake, and gearbox necessitated by auxiliary-engined sweepers.

SUCTION FAN: The suction fan is mounted on the hopper top, driven by a direct drive axial piston hydraulic motor with a normal operating speed of 2000 RPM. The dynamically balanced 900 mm diameter fan is a very efficient multi-blade centrifugal unit, giving a nominal airflow of 6000 ft³/min (170 m³/min).

Mounting the fan on the hopper top creates a virtually straight and highly efficient airflow from suction nozzle to fan, significantly reducing power requirements. There are two operating modes, standard for normal sweeping and boost, to increase suction power for very arduous conditions. When the optional overhead boom is fitted an additional boost speed is provided for even greater suction performance.

SUCTION NOZZLE: Of all-steel construction, the 840 mm wide suction nozzle is mounted in a trailed frame running on 250 mm diameter rubber tyred wheels. A 250 mm diameter suction hose connects the nozzle to the hopper. Easily replaced adjustable rubber flaps and a skid plate are used to form the nozzle inlet and the high suction performance makes feasible a flap to ground clearance of 25–30 mm resulting in a long flap life and less need for adjustment. Four manually adjustable water spray jets are fitted to the nozzle at 90° intervals to provide an internal dust suppression spray. Additional water injection nozzles are available when required. An optional 4-jet water boost bar can also be fitted in front of suction nozzle for use in extreme conditions. A tilting mechanism enables the nozzle to accommodate large objects or autumn leaf build-ups with ease.

SIDE BRUSH: 650 mm diameter steel-tined quick-change brush with direct drive hydraulic motor, fitted with trailed linkage, kick back protection, pneumatic ram for in/out control, fully adjustable for brush angle, variable speed control. Optional brush pressure control is also available. A work light is fitted to assist with low light operation.

WIDE SWEEP: 400 mm diameter quick-change polypropylene segments with direct drive hydraulic motor, fully floating with shock absorbers to prevent bounce, fitted with trailed linkage to ensure parallel, even brush wear. Variable speed control. Optional brush pressure control is available if required.

HOPPER: 8.8 m³ Gross Hopper Volume* offering a 7.5 m³ Net Hopper Volume*. Constructed entirely from corrosion and abrasion resistant stainless steel, the hopper is fitted with large access doors on either side and a reinforced rear door with heavy-duty seals. The rear door incorporates an automatic closure system which clamps the door at 3 points, for a watertight seal, and body-drain facility for removal of excess water.

All inlet tubes are fitted with automatic blanking flaps and an easy-to-clean swing-down filter screen is mounted in the top of the hopper immediately below the suction fan. A storage compartment is provided, located on right hand side of the body.

The hopper is tipped by means of a two-stage tipping ram facilitating rapid load discharge.

* Scarab hopper capacities are calculated in accordance with European Standard EN15429

HYDRAULIC SYSTEM: The hydraulic system is piped in zinc plated steel tubing, where practical, and is protected by 10-micron filters to ensure long component-life. The system's oil is cooled via a heat exchanger with a hydraulically driven high-performance fan, ensuring optimum cooling under the most arduous working conditions and high ambient temperatures. The hydraulic control valves are located for easy servicing in a protected compartment, all services being operated from the in-cab control panels.

WATER PUMP: A self-priming pump fitted with suction filter and driven by a direct-drive hydraulic motor. Solenoid valves operated from the CANbus control panel direct water supply to the brushes and suction nozzles. Output is rated at 36 litres/minute @ 50 psi (3.5 bar).

WANDER HOSE: A lightweight flexible suction hose (3 m long x 150 mm diameter), complete with aluminium extension tube and adjustable handle for cleaning awkward areas or gullies. Quick release wander hose points are located at either side of the rear door. The hose can be used while sweeping or on its own for more powerful suction. Optional overhead or rear-mounted booms with aluminium or steel gully entry tube can be fitted if required.

HYDRAULIC TANK: Located adjacent to the oil cooler, 25 litre capacity, with 10 micron return filter, air breather, suction strainer, and sight glass with automatic low-level shut off.

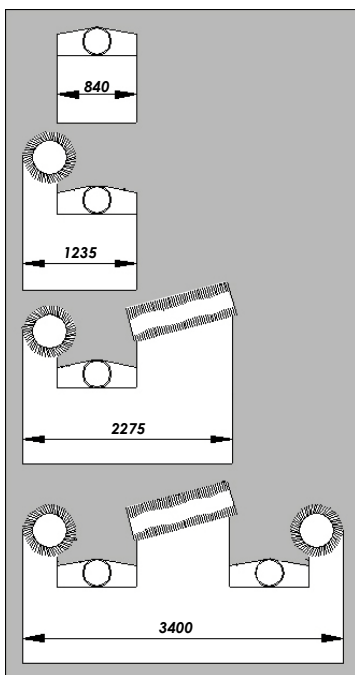
PNEUMATIC SYSTEM: The pneumatic system is connected to the vehicle auxiliary air supply, and is fitted with a pressure regulator, filter / water separator and pneumatic solenoid valves to control the side brush, wide sweep brush, suction nozzle, and gear change. The pneumatic valves are located for easy servicing in a protected compartment.

CANbus CONTROL: Scarab's tried and tested CANbus system, in service since 2003 has proved to be a successful and welcome innovation. CANbus has been developed to take advantage of the latest chassis technology giving even greater control. A compact panel adjacent to the driver's seat contains all controls for operating the main sweeper functions. The panel also displays relevant operating data and provides system diagnostics and a fault-finding facility. An additional satellite control panel, for frequently used operations is mounted conveniently to hand.

WATER TANK: 1800 litre gross capacity manufactured from corrosion resistant glass reinforced plastic and fitted with a large lid, to facilitate cleaning, a sight glass with level indicator and suction strainers. Filling is by means of a hydrant connector with regulation air break, or alternatively through an optional hose pipe attachment. A 2500 litre option is available on selected chassis, please contact our sales office for details.

PAINTING: Two pack system single colour, optional multi colour and sign-writing.

TYPICAL SWEEPING WIDTHS:



SUCTION NOZZLE ONLY

The suction nozzle, side brush and wide sweep brush can be raised or lowered independently of each other. This provides various sweeping patterns to suit differing road conditions.

SUCTION NOZZLE & SIDE BRUSH

SUCTION NOZZLE, SIDE BRUSH & WIDESWEEP

BOTH NOZZLES, BOTH SIDE BRUSHES & WIDESWEEP

On dual sweep machines the Scarab Magnum Plus has the option of operating with both side brushes and nozzles simultaneously to give an unrivalled sweeping width.

TYPICAL WEIGHT DATA:

SINGLE SWEEP CONFIGURATION		DUAL SWEEP CONFIGURATION	
Scarab Equipment Weight	2775 kg	Scarab Equipment Weight	2975 kg

CHASSIS SUITABILITY:

The Scarab Magnum Plus Hydrostatic can be mounted on a wide range of chassis including DAF, Iveco, Mercedes, Volvo, MAN & Renault.

OPTIONS:

Dual sweep with swivel widesweep brush.

Simultaneous left and right hand brush, nozzle and wide sweep operation giving an unrivalled 3.4-metre swept width.

Video camera to offside brush and/or rear of sweeper.

Rear mounted overhead boom.

Larger 2500 litre water tank (Dependent upon chassis specification)

High volume water pump 30 litres per minute @ 200 bar with 13 metres of hose on retractable hose reel and hand lance.

Front mounted stainless steel spray bar with 11 nozzles covering an area 2 m wide.

High pressure / High volume water pump 59 litres per minute @ 250 bar with 13 metres of hose on retractable hose reel and hand lance.

Full width rear suction nozzle assembly with tilting nozzles and spray bars.

Pressure control for side brush / brushes and wide sweep brush.

Centralised lubrication system, either manual or automatic.

Detergent injection kit for the hand lance for difficult cleaning operations.

Hydrant, Standpipe, Key and 3 m of 50 mm lay-flat hose.

Extra or alternative beacons, e.g. Xenon.

Fire extinguisher.

**Scarab Sweepers are dedicated to continuous product development and as such we reserve the right to change this specification without prior notice.
To ensure latest information contact Sales Department.**



Pattenden Lane, Marden, Tonbridge, Kent. TN12 9QD

Telephone: 01622 831006

Fax: 01622 832417

E-Mail: scarab@scarab-sales.com

Web Site: www.scarab-sweepers.com