

MAVEN 65

The Maven 65 is a powerful, versatile twin-engine sweeping solution delivering exceptional performance.



HEAVY DUTY
OUTSTANDING PERFORMANCE

MAVEN 65



Whatever the application, wherever the location, the Maven 65 is an industry-leading solution for the most demanding of operations.

The Maven 65 is a heavy-duty twin-engine sweeper capable of being mounted onto virtually any internationally available 24,000 - 36,000lbs GVW truck chassis. Incorporating all the benefits associated with Scarab equipment, the renowned quality and carefully selected range of options ensure the Maven 65 delivers outstanding performance in applications such as municipal, building works, road resurfacing and more.

ASSEMBLED IN THE USA

The Maven 65 is assembled in the USA and can be built to suit any chassis of your choice.



HEAVY DUTY OUTSTANDING PERFORMANCE



Cost effective, heavy duty with versatile application:

SIZE:	24,000 – 36,000lbs GW
SWEEPING SPEED:	0 – 20mph
HOPPER CAPACITY:	8.5 cubic yards
WATER TANK:	330 – 503 gallons
ENGINE:	Deutz TCD 3.6 L4 HP Stage V
FUEL CAPACITY:	53 gallons
TYPICAL PAYLOAD:	9920 – 21,000lbs
SWEEP WIDTH:	94 inch single/142 inch dual

Standard specification

- Stainless steel hopper
- Scarab high speed fan configuration
- Scarab CANbus control panel incorporating operational information, data logging and self diagnosis
- 330 gallon corrosion resistant water tank



Shot blasting the hopper's stainless steel body

The hopper is manufactured from strong, corrosion and abrasion-resistant 4003 Stainless Steel which is then shot blasted before a two-pack epoxy primer is applied, followed by a hard-wearing topcoat.

Fitted with lockers on both sides for additional storage, the hopper also provides particulate screening via a hinged stainless steel mesh filter, which swings down for ease of cleaning and provides access to the stainless steel inlet cone.





- 
- Safe and easy access to the auxiliary engine and filters via a large dedicated service platform.
 - A safety hopper prop automatically engages when the hopper is raised.
 - A total corrosion resistant, glass reinforced plastic water tank is mounted under the hopper and provides the best weight distribution whilst driving and sweeping.
 - All external automotive electrical components are IP67.

POWERFUL & RELIABLE SUCTION PERFORMANCE

A stainless steel, high speed, centrifugal impeller positioned in the hopper roof produces an efficient airflow path for high suction performance. Recent improvements to the suction path have resulted in even greater performance at lower RPM, while simultaneously reducing fuel consumption and noise.

The auxiliary engine is infinitely variable from 1100 - 1500rpm providing more than enough power for municipal or heavy duty work. A 1600rpm fan boost mode is available for resurfacing and tougher applications, ensuring a clean sweep everytime.

IMPROVING AIR QUALITY

Improving air quality is a daily challenge for many municipalities. The use of sweepers to reduce dust particulates in public areas is a common practice.



The Maven 65 has been awarded the 4 Star EUUnited PM10/2.5 Certification and is more than capable of collecting and suppressing particulate matter sized less than 2.5µm.

POWER & CONTROL

The Maven 65 has been designed for operators who prefer a twin-engine configuration but who also wish to benefit from the very best in sweeper design and technology. The Maven 65 has all the qualities that make Scarab the sweeper of choice for operators around the world.



CANBUS CONTROL SYSTEM

Scarab's CANbus control system revolutionised the way sweepers are operated and maintained. It continues to evolve today to offer market leading sweeper control.

Our latest CANbus control system offers colour coded door-pod and pedestal controls with key sweeping functions visible at a glance, and comfortably within reach. The large graphical display clearly indicates sweeping configuration and provides the user with regular updates on the vehicle, including warnings and service reminders. What's more, with real-time data-logging built into the system, you can monitor your performance and keep your sweeper functioning at its very best.

Scarab's CANbus includes universal connectors for fitment of Global Positioning System (GPS) and the option of real-time data availability via telematics.



Quiet, efficient power in a self-contained unit

AUXILIARY ENGINE

The quiet, low-emission Deutz Stage V engine was selected for its ability to provide ample power at low rpm, with reduced fuel consumption, renowned reliability and without the need for Adblue. Its position, in between the hopper and the cab, affords ease of access for servicing.

All engine filters and main service points can be reached from the large service platform.

HYDRAULIC SYSTEM

The Scarab fluid drive system is directly coupled to the auxiliary engine. By eliminating drive belts, gearboxes and flywheel couplings, it ensures quiet, efficient sweeping and suction performance and a high degree of reliability.

All the hydraulic control components are housed in a secure locker and steel piping is used throughout.



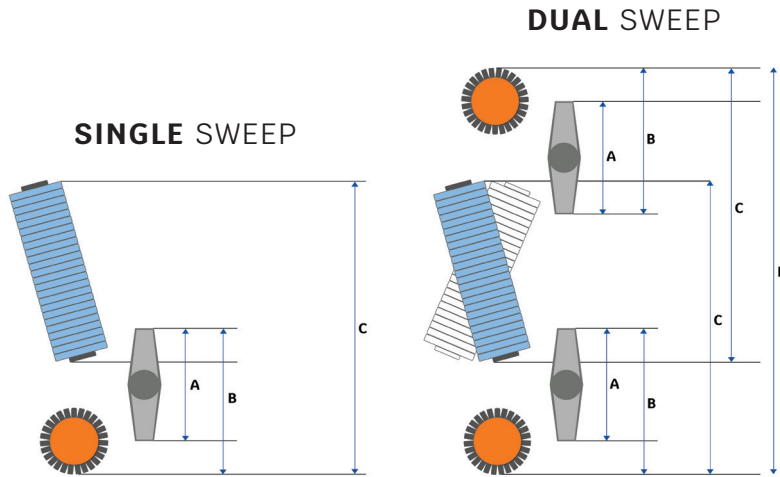
AFTER SALES SUPPORT

Our dedicated After Sales team are Scarab Sweepers' front-line ambassadors and it's their aim to provide you with the highest level of support for the lifetime of your vehicle, delivered through:

- **Industry renowned after sales care.**
- **A range of extended warranty options.**
- **A choice of 'Service', or 'Repair and Maintenance' solutions to suit your needs.**

STANDARD FEATURES

SWEEPING WIDTHS (based on a typical 15 tonne GVW chassis)



A Suction nozzle only	29 inch
B Nozzle & side broom	54 inch
C Nozzle, side broom & widesweep	94 inch
D Simultaneous dual sweep	142 inch
E* Double curbside broom	40 inch

Slight variations to the foregoing dimensions can occur according to individual chassis specifications.

*Relevant if option selected.

WEIGHTS AND DIMENSIONS

TYPICAL PAYLOAD POTENTIAL

Standard specification

24,000 lbs GVW - 9920lbs
> 36,000 lbs GVW - 21,000lbs

TYPICAL DIMENSIONAL DATA

Length overall	20 - 22.3ft
Wheelbase	10.7 - 12.8ft
Width overall	7.9ft
Overall height	
hopper lowered	10.2ft
hopper raised	15.5ft

CAPACITIES

Hopper*	Voided volume 8.5yd ³ Payload volume 7.6yd ³
Water tank**	330 - 503 gallons

* Calculated in accordance with European Standard EN15429

** The option of an additional water tank is available subject to chassis selected

MADE IN BRITAIN, TRUSTED WORLDWIDE



STANDARD FEATURES

Non-standard additional options are listed with an asterisk*



*Some options listed are chassis dependent

WATER

- High-pressure/high-volume pump with hand lance and self-retracting hose reel.
- Additional dust suppression for suction tubes (additional jets at the top of the suction tube).
- Simultaneous dual wash and sweep.
- Additional 170 gallon water tank.*
- Detergent injection kit for use with the hand lance on difficult cleaning operations.

BROOMS

- Dual sweep (a second channel broom on opposite side of the sweeper and swivelling widesweep).
- Simultaneous dual sweep (both channel brooms and swivelling widesweep).
- Adjustable pressure control for channel brooms and widesweep.
- Double curbside broom.*
- Tilting broom.
- Vari broom (variable in/out broom control).

SUCTION SYSTEM

- Rear-mounted swing-out wander boom (left hand or right hand mounting).
- Roof mounted overhead boom.*
- Polyurethane coating of suction path components.

MISCELLANEOUS

- CCTV camera to offside broom and/or rear of vehicle.
- Centralised lubrication system (either manual or automatic).
- Alternative or additional beacons.
- Work lights.
- Dual door pods for dual-steer chassis.

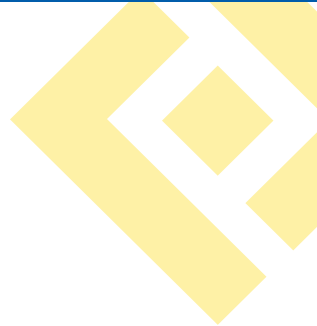


The Maven 65 can be fitted to most internationally available truck chassis from a range of manufacturers including: Peterbilt, Freightliner, Kenworth, International, Isuzu, UD, Mack and Autocar. For details on suitable chassis specifications, please contact your local distributor.

MAVEN 65

www.scarab-sweepers.com

Dealership



FAYAT ENVIRONMENTAL SOLUTIONS

20 Montesano Road, Fairfield,
New Jersey 07004,
United States of America

TEL (262) 725-4210

www.environmentalsolutions.fayat.com

SCARAB SWEEPERS LTD

Pattenden Lane, Marden,
Tonbridge, Kent,
United Kingdom TN12 9QD

TEL +44 (0)1622 831006

www.scarab-sweepers.com



SCARAB ♦ Leave nothing behind