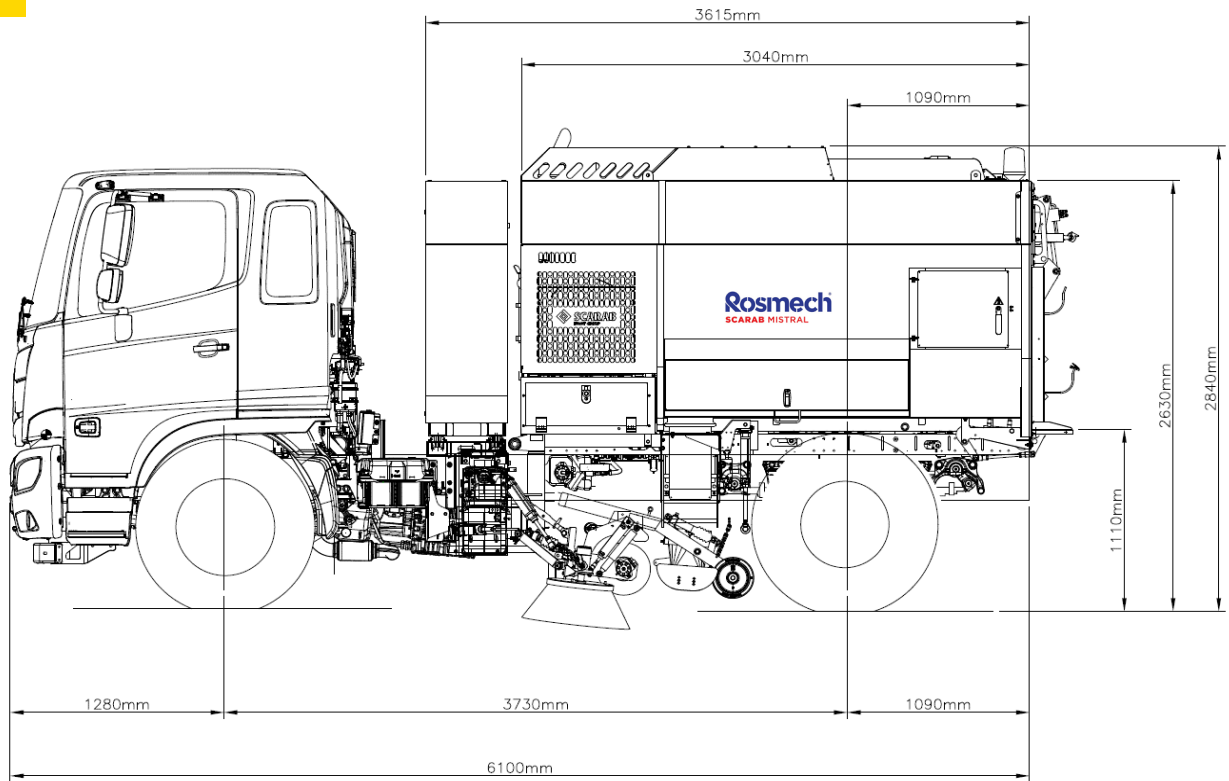


MISTRAL C6.2

HINO FE 1426 AUTO



GENERAL DATA

Chassis Requirement	12-14 tonne GVM
Wheel Base	3750mm
Overall Length*	6300mm
Overall Height*	3000-3300mm
Max Height - Hopper Up*	4580mm
Discharge Height*	950mm
Discharge Angle	47.5 degrees
Door Opening Angle	90 degrees
Filter Mesh Type	Perforated stainless steel
Low Pressure Pump Output	26/3.5 bar
Hydraulic Suction Filtration	125 microns
Hydraulic Return Filtration	20 microns
Fan Pump Displacement	60cc
Gear Pump(s) Displacement	23cc
Suction Fan Capacity	7770ft ³ /min (220m ³ /min)
Suction Fan Diameter	745mm
Sweeping Speed	0 - 25kph

SWEEPING EQUIPMENT

Side Brush Diameter	650mm
Widesweep Brush Diameter	320mm
Side Brush Speed	0 - 125rpm Fully Variable
Widesweep Brush Speed	0 - 125rpm Fully Variable
Side Brush Life Expectancy	80 Working Hours
Widesweep Life Expectancy	150 Working Hours
Suction Tube Diameter	250mm
Nozzle Width	840mm & 740mm

CAPACITIES

Hopper Voided Volume	6.2m ³
Hopper Payload Volume	5.5m ³
Actual Payload Capacity	5000-6000kg
Auxillary Fuel Tank	130 litres
Water Tank	1500-1800 litres
Hydraulic Tank	55 litres

*Dependent on chosen boom and chassis

TECHNICAL SPECIFICATION

MISTRAL C6.2

Rosmech Sales & Service
 Adelaide – Melbourne – Sydney –
 Brisbane – Townsville – Perth
 Tel: +61 (8) 8182 7777

www.rosmech.com.au

SWEEPING SYSTEM

The Sweeping system utilizes a Cummins QSB3.3 Stage 3A secondary engine to drive pumps that operate all the hydraulic sweeper functions, whilst retaining the conventional chassis engine and transmission, allowing seamless transition between sweeping and travel modes. Sweep speed from 0-25kph.

SUCTION FAN

- 745mm diameter.
- Producing 2400-3200rpm controllable and variable.
- Suction fan capacity: 7770ft³/min (220m³/min).
- Stainless steel as standard.

SUCTION NOZZLE

- Robust all-steel construction.
- 840mm Lhs and 740mm Rhs width.
- 250mm diameter flexible suction tube.
- Adjustable wear-resistant suction nozzle rubbers.
- 6 x low-pressure water jets.
- Heavy duty rubber-tyred wheels fully adjustable.

BRUSHES

- 650mm diameter steel-tined side brushes.
- 320mm diameter polypropylene – polyester wide sweep.
- Fully proportional variable speed to all brushes, 0-125rpm from within the cab.

HOPPER

- 6.2m³ gross hopper volume, constructed entirely of corrosion-resistant stainless steel.
- Hydraulically-operated rear door with safety check valve.
- Automatic self-deploying hopper ratchet prop.
- Rear body drain via ball valve.
- Auto-blanking flaps to suction tubes.

- Stainless steel, pneumatic drop-down mesh suction filter screen.
- Simple hinged access for suction fan cleaning.

HYDRAULIC SYSTEM

- In plated steel piping where possible.
- 10 micron filters to ensure maximum protection.
- Hydraulic valve block in easy accessible location.
- 55 litre steel oil tank with 10 micron return filter.
- Low oil and high temperature automatic shut off.
- Sight glass.

WATER SYSTEM (LOW PRESSURE)

- Self-priming low pressure water pump for dust suppression.
- Solenoid-controlled valving from the CANbus system.

WATER SYSTEM (HIGH PRESSURE)

- High pressure delivering up to 32 litres per minute via the front 11 jet stainless steel spray bar.
- High pressure fan wash.
- Several high pressure spray bar jet options.

WATER TANK

- 1500-1800 litre stainless steel water tank with access lid for cleaning.
- Sight glass with level indicator in-cab and auto pump save shut off.
- Hydrant connector with regulation air break.

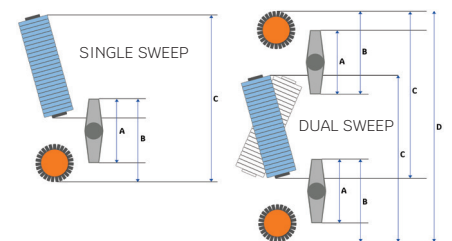
PNEUMATIC SYSTEM

- Fitted with 8 bar pressure regulator and filter.
- Pneumatic solenoid valves to control side brush, wide sweep and suction nozzle.
- Located for easy servicing in a protected enclosure compartment.

CANBUS CONTROL

- The proven, reliable Scarab CANbus system in service since 2003.
- Compact panel adjacent to the driver's seat contains all operating controls for the main sweeper functions.
- LCD screen displays operational data and provides system diagnostics and fault-finding.
- Door-pod control panel for operators frequently used functions mounted conveniently.

SWEEPING (WIDTHS)



A: Suction nozzle only	845mm
B: Suction nozzle & side brush	1455mm
C: Suction nozzle, side brush & widesweep	2395mm
D: Both nozzles, both side brushes & widesweep	3460mm



TECHNICAL SPECIFICATION

HINO FE 1426 AUTO CAB

Rosmech Sales & Service
 Adelaide – Melbourne – Sydney –
 Brisbane – Townsville – Perth
 Tel: +61 (8) 8182 7777

www.rosmech.com.au

CAB CHASSIS

Manufacturer	HINO
Model	Fe 1426 Short Wheel Base Auto
GWW	12000-14000kg
GCM	21000kg
Wheel Base	3750mm
Turning Circle Radius	13400mm
Engine Access	Cab over engine
Electrical System	24 volts
Rear Fuel Tank Capacity	134 litres

ENGINE

Manufacturer	HINO
Model	J07E-TN
Number of Cylinders	6
Displacement	6.403 litres
Power (Net)	191kW (260HP) @ 2400rpm
Torque (Net)	794Nm @ 1500rpm
AdBlue Tank Capacity	NA

BRAKES

Type	Air over Hydraulic, Dual Circuit
ABS	Equipped
Air Dryer	Equipped

TRANSMISSION

Model	ALLISON 2500
Number of Gears	5 Forward/1 Reverse

STEERING

Type	Recirculating ball with internal power steering
------	---

TYRES & WHEELS

Tyres Front	265/70R 19
Tyres Rear	265/70R 19
No. of Wheels	Front: 2 / Rear: 4 / Spare:1

